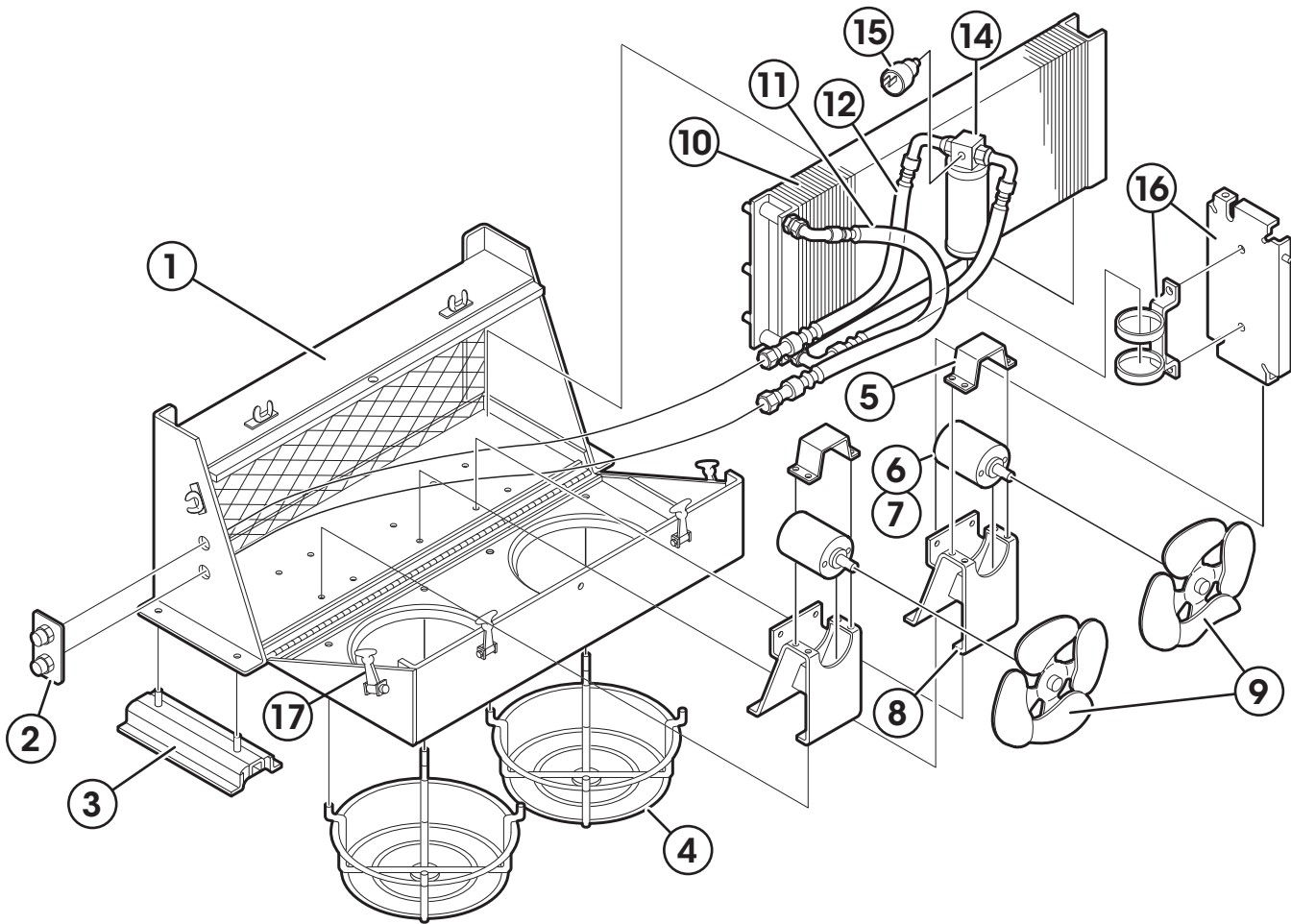


Red Dot Heavy Duty Condenser R-9730-0 Series

SERVICE PARTS LIST



ITEM	NOTE	PART NO.	DESCRIPTION	CAT. NO.
1		RD-4-3666-OP	Housing Assembly	
2		RD-4-3804-OP	Fitting Assembly	
3		RD-4-3669-OP	Shock Mount (2)	
4		RD-5-3894-1P	Fan Guard (2)	
5		RD-3-3174-OP	Retainer - Motor (2)	
6	A	RD-5-5120-OP	Motor - 12v (2)	73R0512
7	B	RD-5-5120-24P	Motor - 24v (2)	73R0514
8		RD-4-4150-OP	Motor Mount Assembly (2)	
9		RD-4-3508-OP	Fan (2)	73R8110

ITEM	NOTE	PART NO.	DESCRIPTION	CAT. NO.
10		RD-4-3646-OP	Condenser Assembly	77R0800
11		RD-2-0815-14.70P #6	Freon Hose Assembly	
12		RD-2-1647-24P #6	Freon Hose Assembly	
13		RD-5-8433-OP	Switch-Pressure	71R7075
14		RD-5-7063-OP	Receiver Drier	74R1866
15		RD-5-4646-OP	Binary Switch	71R4000
16		RD-4-3652-OP	Support - Receiver Drier	
17		RD-5-4195-OP	Anchor, Rubber (4)	

NOTES: A= 12 Volt application B= 24 Volt application

RED DOT CORPORATION

P.O.Box 58270 Seattle, WA 98138 (206) 575-3840 AMCustomerService@RedDotCorp.com

RD-4-4510-0 (REV C) Sheet 1 of 2

FOR REFERENCE ONLY. SUBJECT TO CHANGE WITHOUT NOTICE